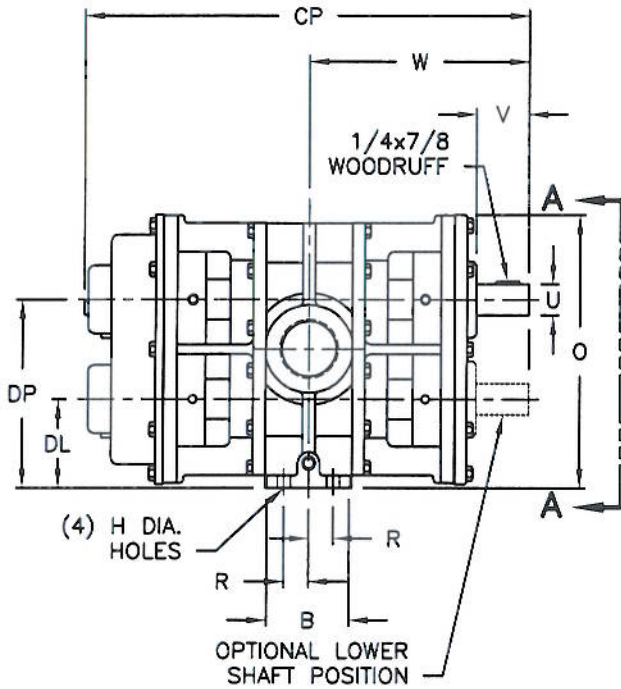
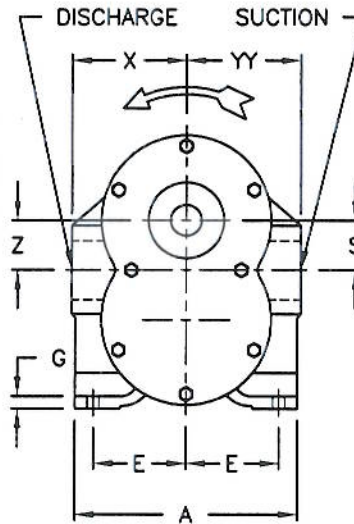


ROTARY GEAR PUMPS
PUMP ONLY

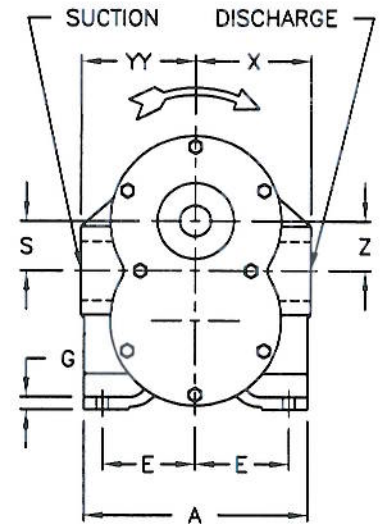
KRONSTADT
St.-Petersburg



UPPER DRIVE

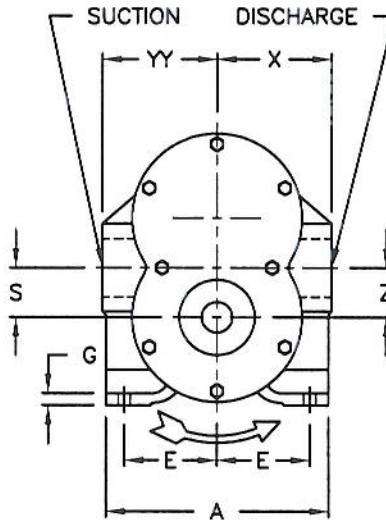


VIEW A-A
LEFT HAND
ROTATION

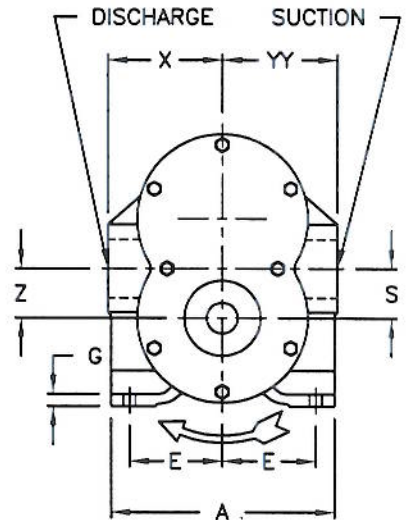


VIEW A-A
RIGHT HAND
ROTATION

LOWER DRIVE



VIEW A-A
LEFT HAND
ROTATION



VIEW A-A
RIGHT HAND
ROTATION

NOTES:

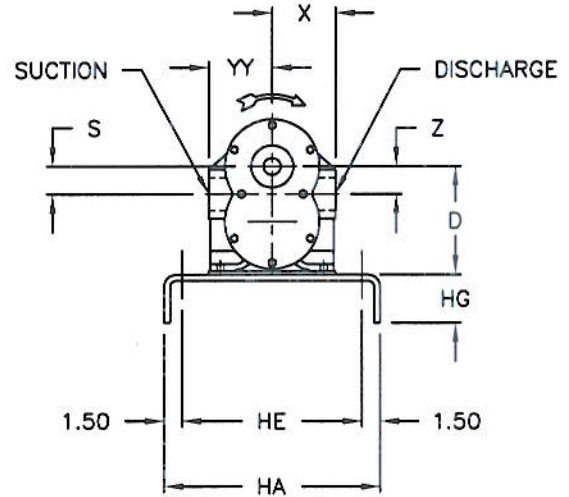
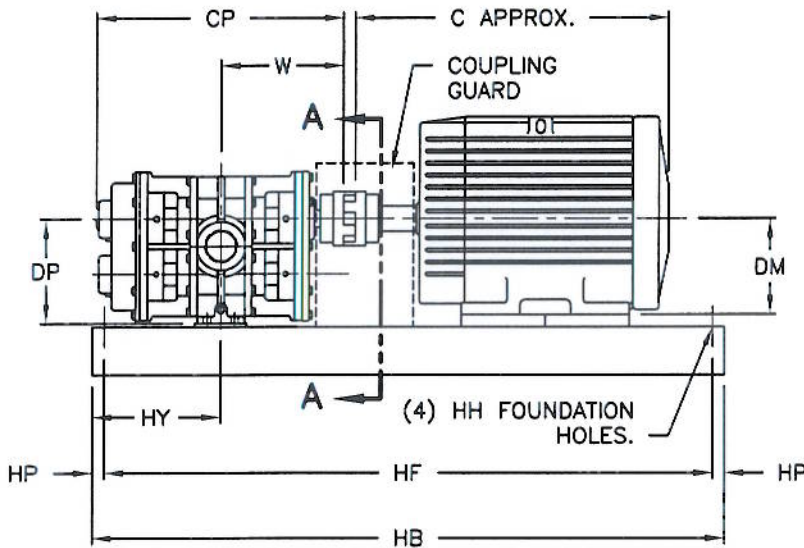
- All dimensions are in inches (mm).
- Dimensions may vary $\pm 0.25"$ (6).
- Not for construction purposes unless certified.
- Discharge and suction ports are:
F-NPT (Female pipe threads)
- Use the following notation for pump identification:
UR = UPPER SHAFT - RIGHT HAND ROTATION
UL = UPPER SHAFT - LEFT HAND ROTATION
LR = LOWER SHAFT - RIGHT HAND ROTATION
LL = LOWER SHAFT - LEFT HAND ROTATION

MODEL	DISCHARGE	SUCTION	A	B	CP	DL	DP	E	G	H
150	2" F-NPT	2" F-NPT	9.00 (229)	3.38 (86)	17.75 (451)	3.60 (91)	7.61 (193)	3.75 (95)	.50 (13)	.53 (13)

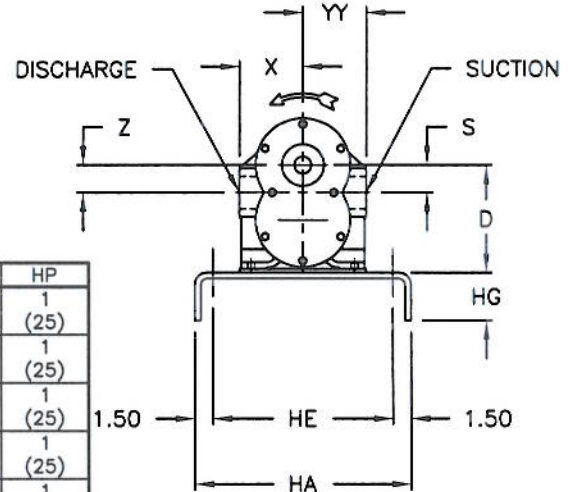
MODEL	O	R	S	U	V	W	X	YY	Z
150	11.08 (281)	1.00 (25)	2.00 (51)	1.25 (32)	2.13 (54)	8.88 (226)	4.72 (120)	4.72 (120)	2.00 (51)



ROTARY GEAR PUMPS ELECTRIC MOTOR DRIVEN ON STANDARD STEEL BASE UPPER DRIVE



**VIEW A-A
RIGHT HAND
ROTATION**



**VIEW A-A
LEFT HAND
ROTATION**

NOTES:

1. All dimensions are in inches (mm).
2. Dimensions may vary $\pm .25"$ (6).
3. Not for construction purposes unless certified.
4. Coupling gap may vary .13"(3) to 2.06"(52).
5. Motor dimension "CP" is approximate. Motor dimensions are not specified as they vary with each motor manufacturer.
6. Discharge and suction ports are:
F-NPT (Female pipe threads)
7. Use the following notation for pump identification:
UR = UPPER SHAFT - RIGHT HAND ROTATION
UL = UPPER SHAFT - LEFT HAND ROTATION

BASE NO.	SIZE	HA	HB	HE	HF	HG	HH	HP
2	12 X 34	12	34	9	32	3	.63	1
		(305)	(864)	(229)	(813)	(76)	(16)	(25)
3	12 X 38	12	38	9	36	3	.63	1
		(305)	(965)	(229)	(914)	(76)	(16)	(25)
4	13 X 42	13	42	10	40	4	.75	1
		(330)	(1067)	(254)	(1016)	(102)	(19)	(25)
5	15 X 44	15	44	12	42	3.38	.75	1
		(381)	(1118)	(305)	(1067)	(86)	(19)	(25)
7	18 X 48	18	48	15	46	4	.75	1
		(457)	(1219)	(381)	(1168)	(102)	(19)	(25)
8	18 X 54	18	54	15	52	4	.75	1
		(457)	(1372)	(381)	(1321)	(102)	(19)	(25)

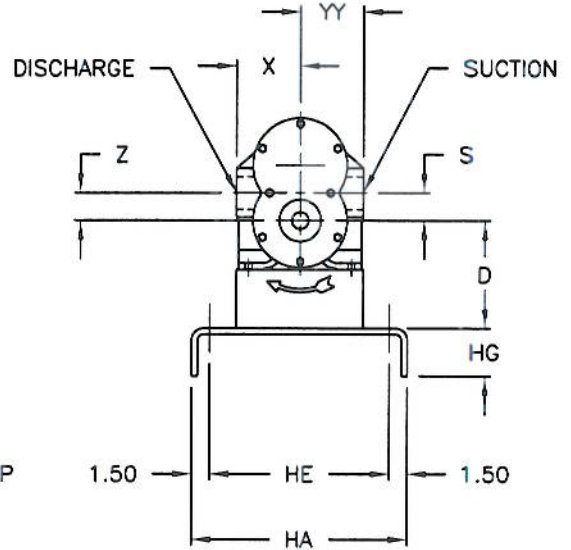
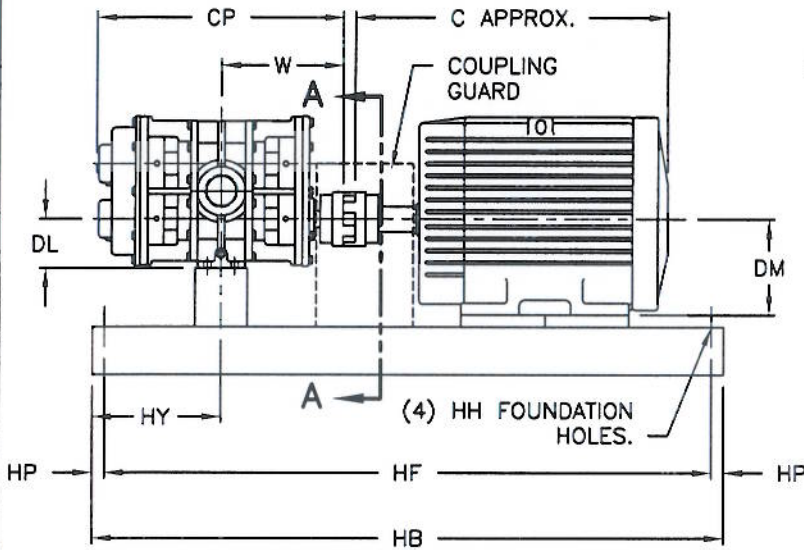
MODEL	FRAME	182T	184T	213T	215T	254T	256T	284TS	284T	286TS	286T
	C	13	14	16	18	21	23	22	24	24	25
	DM	4.50	4.50	5.25	5.25	6.25	6.25	7.00	7.00	7.00	7.00
150	BASE NO.	2	3	3	4	4	4	5	5	5	5
	D	8.00 (203)	8.00 (203)	8.00 (203)	8.00 (203)	8.00 (203)	8.00 (203)	8.00 (203)	8.00 (203)	8.00 (203)	8.00 (203)

MODEL	FRAME	324TS	324T	326TS	326T	364TS	364T	365TS	365T
	C	25	26	26	28	27	29	28	30
	DM	8.00	8.00	8.00	8.00	9.00	9.00	9.00	9.00
150	BASE NO.	7	7	7	7	8	8	8	8
	D	8.00 (203)	8.00 (203)	8.00 (203)	8.00 (203)	9.00 (229)	9.00 (229)	9.00 (229)	9.00 (229)

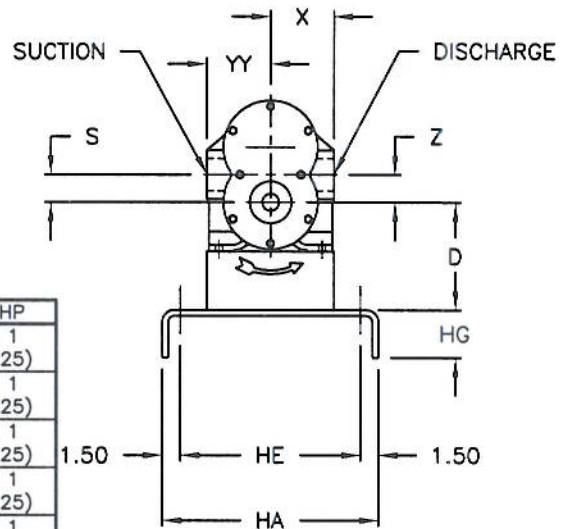
MODEL	DISCHARGE	SUCTION	CP	DP	HY	S	W	X	YY	Z
150	2"	2"	17.75	7.61	9.00	2.00	8.88	4.72	4.72	2.00
	F-NPT	F-NPT	(451)	(193)	(229)	(51)	(225)	(120)	(120)	(51)



ROTARY GEAR PUMPS ELECTRIC MOTOR DRIVEN ON STANDARD STEEL BASE LOWER DRIVE



**VIEW A-A
RIGHT HAND
ROTATION**



**VIEW A-A
LEFT HAND
ROTATION**

NOTES:

1. All dimensions are in inches (mm).
2. Dimensions may vary $\pm .25"$ (6).
3. Not for construction purposes unless certified.
4. Coupling gap may vary .13"(3) to 2.06"(52).
5. Motor dimension "CP" is approximate. Motor dimensions are not specified as they vary with each motor manufacturer.
6. Discharge and suction ports are:
F-NPT (Female pipe threads)
7. Use the following notation for pump identification:
LR = LOWER SHAFT - RIGHT HAND ROTATION
LL = LOWER SHAFT - LEFT HAND ROTATION

BASE NO.	SIZE	HA	HB	HE	HF	HG	HH	HP
2	12 X 34	12	34	9	32	3	.63	1
		(305)	(864)	(229)	(813)	(76)	(16)	(25)
3	12 X 38	12	38	9	36	3	.63	1
		(305)	(965)	(229)	(914)	(76)	(16)	(25)
4	13 X 42	13	42	10	40	4	.75	1
		(330)	(1067)	(254)	(1016)	(102)	(19)	(25)
5	15 X 44	15	44	12	42	3.38	.75	1
		(381)	(1118)	(305)	(1067)	(86)	(19)	(25)
7	18 X 48	18	48	15	46	4	.75	1
		(457)	(1219)	(381)	(1168)	(102)	(19)	(25)
8	18 X 54	18	54	15	52	4	.75	1
		(457)	(1372)	(381)	(1321)	(102)	(19)	(25)

MODEL	FRAME	182T	184T	213T	215T	254T	256T	284TS	284T	286TS	286T
	C	13 (330)	14 (356)	16 (406)	18 (457)	21 (533)	23 (584)	22 (559)	24 (610)	24 (610)	24 (610)
	DM	4.50 (114)	4.50 (114)	5.25 (133)	5.25 (133)	6.25 (159)	6.25 (159)	7.00 (178)	7.00 (178)	7.00 (178)	7.00 (178)
150	BASE NO.	2	3	3	4	4	4	5	5	5	5
	D	4.50 (114)	4.50 (114)	5.25 (133)	5.25 (133)	6.25 (159)	6.25 (159)	7.00 (178)	7.00 (178)	7.00 (178)	7.00 (178)

MODEL	FRAME	324TS	324T	326TS	326T	364TS	364T	365TS	365T
	C	25 (635)	26 (660)	28 (660)	28 (711)	27 (686)	29 (737)	28 (711)	30 (762)
	DM	8.00 (203)	8.00 (203)	8.00 (203)	8.00 (203)	9.00 (229)	9.00 (229)	9.00 (229)	9.00 (229)
150	BASE NO.	7	7	7	7	8	8	8	8
	D	8.00 (203)	8.00 (203)	8.00 (203)	8.00 (203)	9.00 (229)	9.00 (229)	9.00 (229)	9.00 (229)

MODEL	DISCHARGE	SUCTION	CP	DL	HY	S	W	X	YY	Z
150	2"	2"	17.75	3.60	9.00	2.00	8.88	4.72	4.72	2.00
	F-NPT	F-NPT	(451)	(91)	(229)	(51)	(225)	(120)	(120)	(51)